

GROVE

STANDHEIZUNG
ENGINE-INDEPENDENT HEATING

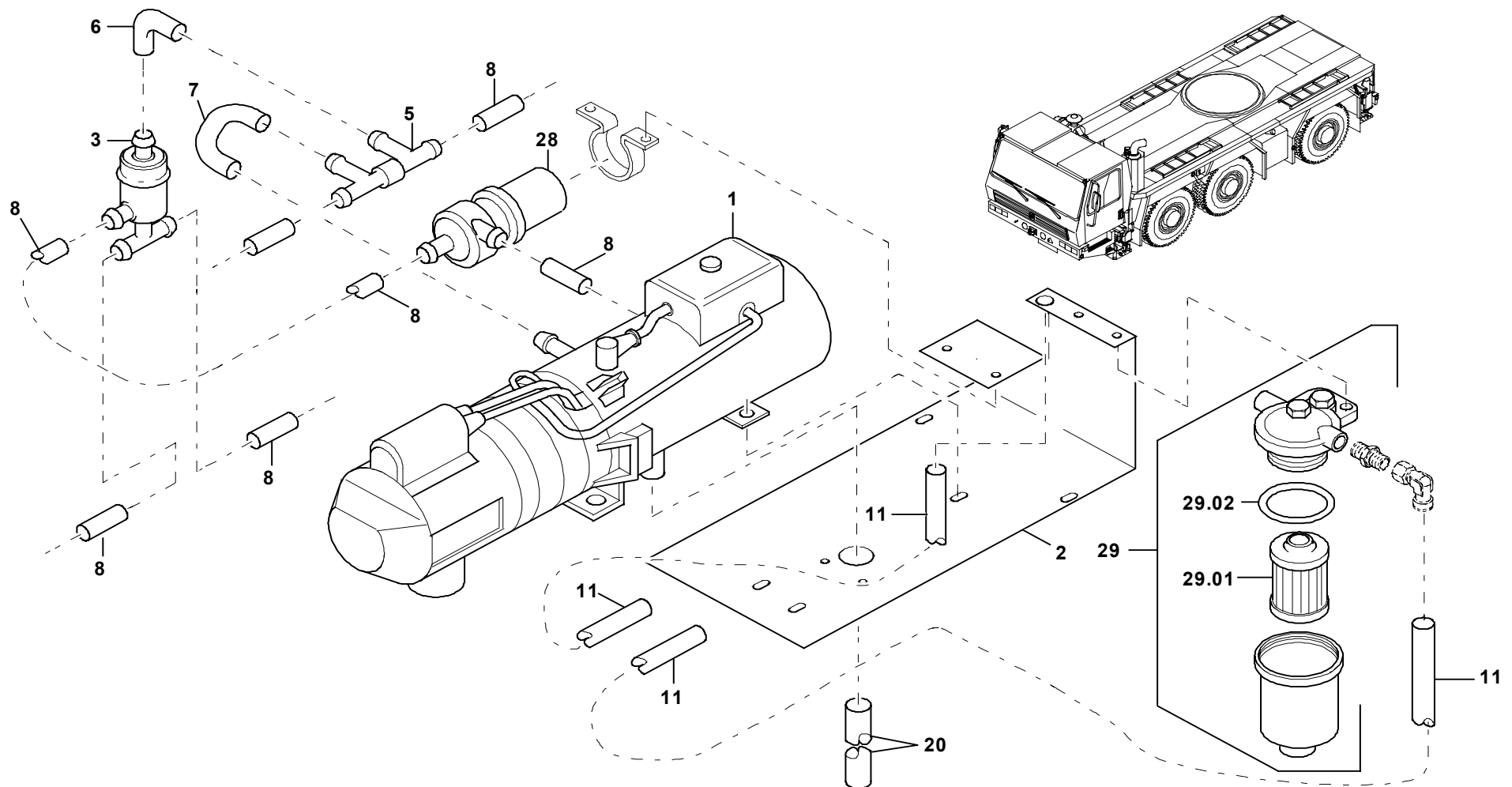
BILDТАFЕL
PICTORIAL DISPLAY

09.02

2227011-ETL C

1/1

GMK 3050
BE 753
G 291



2227011-C-BL01
0902-3050